

Specification

Model number : IB-94Q4

Product name : Interactive whiteboard

- Intelligent Pen-tray**
- Wireless Receiver**

1. Item Specifications:

1.1 Interactive White Board

No	Items	Specification
1	Technology	infrared
2	Diagonal size	2397 mm (94 inch)
3	Resolution(max)	32768×32768
4	Respond Speed	first dot (click): 25 ms; Continuous dots (write) : 8 ms
5	Cursor Speed	100 dot/s
6	Positioning Accuracy	<1 mm
4	Display ratio	16:9
5	Active size	2018* 1135 mm (91.1 inch)
6	Outside size	2064*1200 mm (93.5 inch)
7	Points support	10 points
8	Board material	E3 Ceramics surface materials, Cold rolled steel at back support, anti-damage, can be written with water pen and erase
9	Intelligent Pen tray	800*76.5 mm
10	Power	USB supply directly, <100 mA
11	Connect port	USB 2.0, USB 1.1 & USB 3.0
12	OS system	WinXP, Windows Vista / Windows7, Linux, MAC, Android
13	Driver	No
14	Temperature	Work: -10 °C to 45 °C; Storage: -30 °C to 60 °C
15	Humidity	Work: 0%~90% ; Storage: 0%~95%

1.2 Wireless Set

1.2.1	USB2.4TX Wireless Sender	
1.2.1.1	Input voltage:	DC : 9V 1000mA
1.2.1.2	Power Supply	Power adaptor
1.2.1.3	Current	Working : 60mA ; Maximum <500mA
1.2.1.4	Work Temperature	-20 °C to 85 °C;
1.2.1.5	Frequency Range	2400MHZ~2483MHZ
1.2.1.6	Transmitted Power	3dbm
1.2.1.7	Output voltage	DC 5V
1.2.2	USB2.4RX Wireless receiver	
1.2.2.1	Input voltage:	5V
1.2.2.2	Power Supply	Supply by Laptop or PC
1.2.2.3	Current	50mA
1.2.2.4	Work Temperature	-20 °C to 85 °C;
1.2.2.5	Frequency Range	2400MHZ~2483MHZ
1.2.2.6	Sensitivity	-91db

2. Brief Software functions:

#	Function name	Description
---	---------------	-------------

1	Writing	Can be done by pen, pencil, highlight pen, laser pen, soft pen, etc
2	Intelligent pen	Intelligent pen can fix and recognize the drawing lines into standard straight line, broken line, rectangle, oval, circle
3	Transparent page	Writing and mouse function seamless handover, user can write and control the computer at the same time
4	Magic eraser	Dot and line cleaning, defined area cleaning and whole page cleaning, multi choices
5	Word note	Insert handwriting into the office files and save as the same format of ordinal file
6	Multi model support	User can choose different model of software, windows, desktop, full screen and frame model
7	Multi touch	2 or more users at the same time, fluently operation of the whiteboard
8	Float toolbar	Special toolbar float on the software surface, easy to chose function button and move, hide the toolbar
9	Recorder	Instant recording of all operation of the software, save as AVI format, user can open it at anytime if needed
10	Compatible function	Support different format courseware, such as words, image, flash, AV, PPT
11	Various page format	User can create different color page, current page, desktop page, transparent page, image page, customize page, also color can be changed
13	Screen cover	Cover parts of the screen, point out the important content
17	Teaching texture page	Teaching texture page
18	Page roaming	Move the page freely, unlimited page size
20	Customize menu	User can customize float menu, this allows users to operate more convenient
21	Customize data sheet	User can set the user, toolbar and other data sheet.
22	Screen lock	User can lock the screen if needed
23	Handwriting recognition	Support serial language words, sentence recognition, finger gesture recognition special function, e.g. insert, delete.
24	Software compatibility	Windows 7,8,10 or higher, MacOS

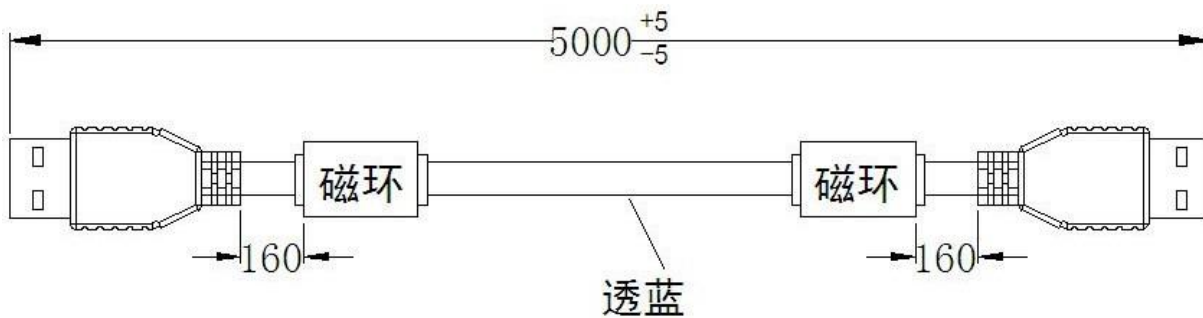
3. Certification:

#	Name	Description
---	------	-------------

1	Copy right	Drawview copyright
2	Reliability test report	Tests report approved by national Inspection Institution
3	Quality system	ISO9001, ISO14001, CE
4	Environment	RoHS, REACH

4. Cables:

connect cable (USB)

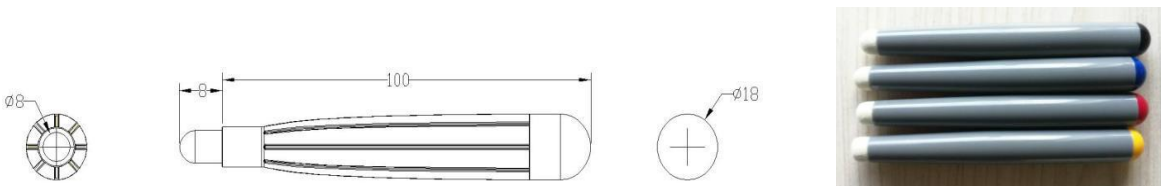


5. Every set contains:

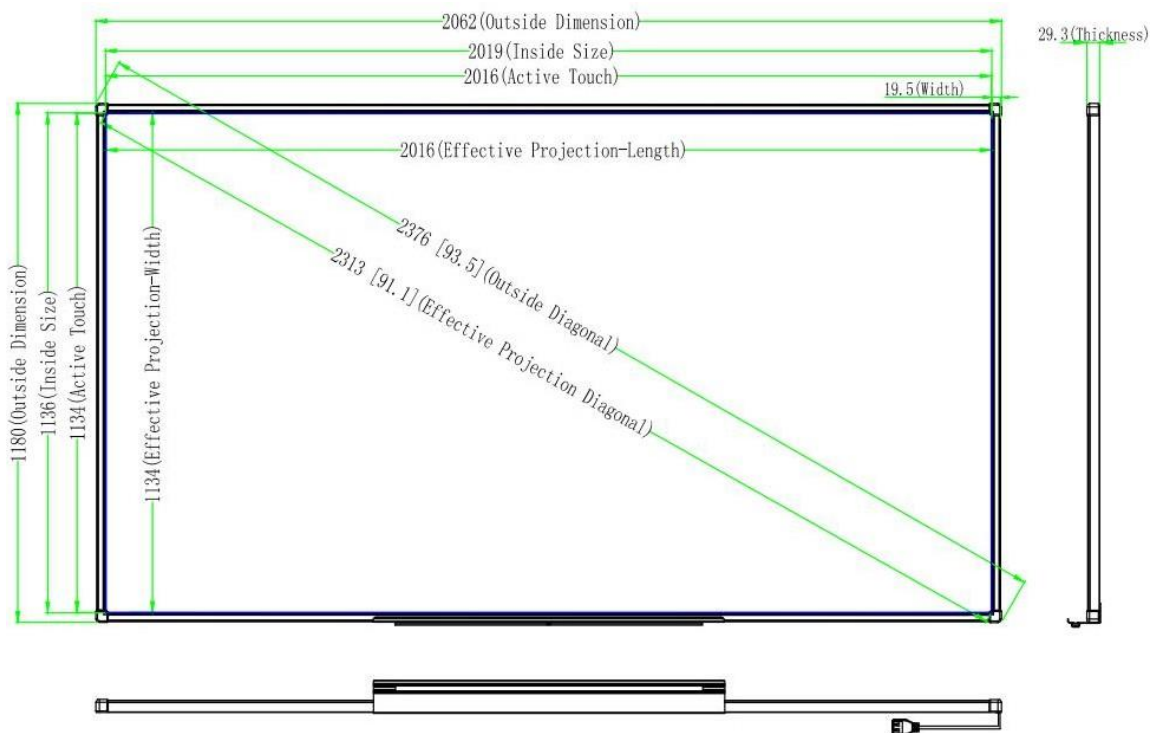
Item	Specification	Quantity	Remark
Interactive whiteboard	94"	1pc	
USB cable	5M	1pc	
Intelligent pen	blue/red /black/yellow	1 set (4pcs in different color cover) + 2pcs, total 6 pcs	
pointer	D8*1000 mm 6 section	1pc	

Wireless sender	White:mini USB Port / DC 9V port /	1pc	
Wireless receiver	USB	1pc	
Wireless adaptor	1M	1pc	

View of pen



View of an Interactive Whiteboard



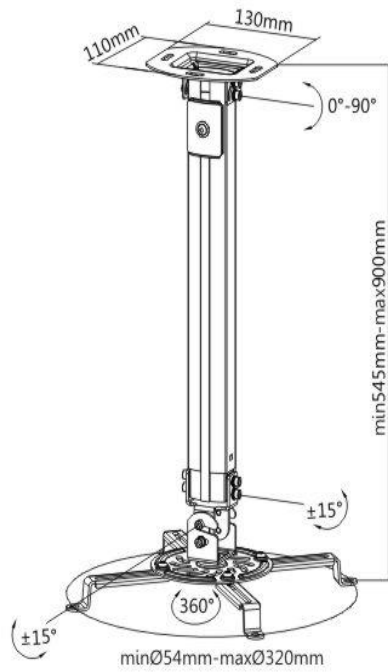
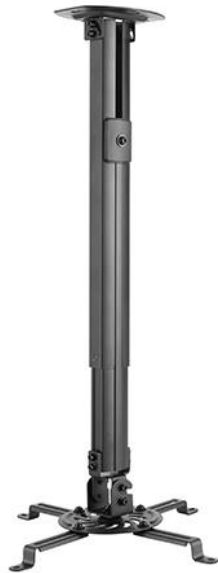
View of an Intelligent Pen-tray



View of an Wireless Devices



SUPPORT DE TAVAN SI PERETE PENTRU VIDEOPROIECTOR



CARACTERISTICI:

PRB-18M este un suport universal de tavan si perete pentru proiectoare de până la 13,5 kg. Placă înclinată pentru aplicarea pe tavan sau perete. Oferă poziționare multidirecțională cu patru brațe de sprijin reglabile care se pot potrivi cu o gamă largă de videoproiectoare. Conectorul cu eliberare rapidă permite instalarea rapidă a proiectorului și apoi eliberarea cu ușurință pentru întreținere, fără a necesita realiniere. Coloana retractabilă din aluminiu oferă reglarea înălțimii pentru diferitele opțiuni. Acest suport pentru proiector este perfect pentru utilizarea în săli de clasă, săli de conferințe, hoteluri, baruri și restaurante sau oriunde trebuie montat un proiector.

SPECIFICATII TEHNICE:

Material	Otel si aluminiu
Finisaj de suprafata	Vopsea electrostatica cu pulbere
Culoare	Alb mat / Negru mat
Dimensiune	334 x 334 x 900 mm
Greutate maxima	13.5 Kg
Interval reglare	54~320 mm
Gama de inclinare	+15°~-15°
Gama de pivotare	+15°~-15°
Rotatie	360°
Gama de extindere	545~900 mm
Instalare	Tavan
Suport management cabluri	Da
Certificari	UL



Versatile Portable Projector with High Brightness

FEATURES

- DLP® technology with BrilliantColor™ for vibrant and rich picture quality
- 3700 lumens of brightness and 20,000:1 contrast ratio for clear, crisp and bright presentations
- WXGA (1280 x 800) native resolution and support up to maximum WUXGA (1920x1200) resolution
- Compact and lightweight at 2.6kg for easy portability
- A long lamp life up to 10,000 hours for low Total Cost of Ownership (TCO)
- Audio ready with built-in 2 watt audio speaker, audio-in and audio-out ports



From meeting room to presentations anywhere on the road

The Vivitek DW284-ST delivers exceptional digital images with a high degree of vibrancy thanks to 3700 lumens of brightness and a contrast ratio of 20,000:1. Featuring native WXGA resolution the DW284-ST is designed for a wide variety of applications. Their compact size at just 2.6 kg allows for easy transportation between different meeting rooms or classrooms.



DW284-ST SPECIFICATIONS

Image	Display Type	Single chip DLP® Technology by Texas Instruments
	Brightness	3700 ANSI Lumens
	Native Resolution	WXGA (1280 x 800)
	Max. Supported Resolution	WUXGA (1920 x1200) @60Hz
	Contrast Ratio	20.000:1
	Native Aspect Ratio	16:10
	Keystone Correction	Vertical: +/-40°
Optical	Throw Ratio	0.49 :1
	Image Size (Diagonal)	50" - 100"
	Projection Distance	0.53m - 1.09m
	Projection Lens	F=2.65, f=7.2mm
Features	Features	3D Ready(DLP link, PC+Video), Direct 3D (HDMI 1.4a), 3D Mandatory Formats supported (top/bottom, right/left, frame sequential)
Connectivity	I/O Connection Ports	VGA-In (15pin D-Sub) (x2), HDMI Number of Ports (x2), S-Video, Composite Video, Audio-In (Mini-Jack), VGA-Out (15pin D-Sub), Audio-Out (Mini-Jack), RS-232, USB miniB (Service)
General	Lamp Life and Type	5,500 / 7,000 / 10,000 Hours (Normal / Eco. / Dynamic Eco. Mode), 210W
	Speakers	2 W
	Dimensions (W x D x H)	331 x 244 x 105mm
	Weight	2.6 kg
	Noise Level	32dB / 29dB (Normal / Eco. Mode)
	Power	Supply: AC 100-240V, 50/60Hz Consumption: 210W (Eco. Mode), 250W (Normal Mode), <0.5W (Standby)
	Warranty	Entry Warranty: 2 years projector / 1 year on lamp or 1.000 hours whichever comes first, Education Warranty: 5 years projector / 3 years on lamp or 2.000 hours whichever comes first
	Standard Accessories	VGA Cable, User Manual (CD), Quick Start Guide, Warranty Card (by region), Remote Controller (with battery), AC Power Cord
	Optional Accessories	Spare Lamp P/N (XX5810005600), Remote Control P/N (XX5040005400), Carrying Case P/N (XX3520000800)