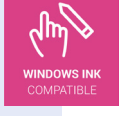


newline

All Stars

Lyra is a small constellation in the northern sky hosting Vega, one of the brightest stars in the night sky, and the Ring Nebula.



POWERFUL, **SECURE** AND SAFE!

The most innovative education solution to date, Newline Lyra is more powerful, secure and future-proof than any previous solution. Extensive connectivity, amazing ease of use, and paper-like writing technology allow users to stay fully focused on teaching. All this while offering a captivating experience that will keep students engaged, with vibrant colours and crystal clear 4K image from every seat in the room. Go shoot for the stars!



NEWLINE INTERACTIVE ECOSYSTEM

The completely renewed Newline Interactive Ecosystem is full of software, tools and apps to help teachers teach, in their own style. That's why the Newline Ecosystem works with any other software, document or device and covers all your interactive classroom needs.

- WHITEBOARD
- CAST
- BROADCAST
- ENGAGE
- REACTIV SUITE
- APP STORE
- CLASSROOM TOOLS
- DISPLAY MANAGEMENT



Enhanced Wi-Fi & Bluetooth



65 W Powered USB Type-C



Secure Multi User Profiles



Broad Compatibility



High Quality Sound System



Wide Range of Sizes

55"

65"

75"

86"

98"

MODEL

Lyra 55"	TT-5521Q
Lyra 65"	TT-6521Q
Lyra 75"	TT-7521Q
Lyra 86"	TT-8621Q
Lyra 98"	TT-9821Q

PANEL

Backlight	Direct LED (Wide color gamut + Anti blue light)
Display Area	55": 1211 x 682 mm
	65": 1428 x 803 mm
	75": 1650 x 928 mm
	86": 1895 x 1066 mm
	98": 2161 x 1216 mm
Display Ratio	16:9
Resolution	3840 x 2160 (4K)
Colours	1,07 Billion
Brightness	55": 400 cd/m ²
	65": 400 cd/m ²
	75": 400 cd/m ²
	86": 400 cd/m ²
	98": 400 cd/m ²
Contrast Ratio	5000:1
Response Time	6 ms
Viewing Angle	178°
Display Life Time	≥50000 hours
Glass Surface	Anti-Glare+Anti-Fingerprint, + Antimicrobial Tempered Glass
Transparency	>88%
Haze	2 %~5%
Touch Surface Hardness	7H

POWER CONSUMPTION

Standard mode	55": 110,9 W
	65": 134 W
	75": 142 W
	86": 207 W
	98": 422 W
Standby mode	<0,5 W

TOUCH

Touch Technology	Stellar Touch Technology
Touch Points	20 Windows / 20 Android
Touch Screen Writing Tools	Passive pen, Finger, Fist
Number of stylus	2
Accuracy	±1 mm

SPEAKER

Speaker Position	Front Facing
Speaker Rated Impedance	6 Ω
Speaker Max.Power Output	20 W x 2

FRONT I/O

USB Type-C (Powered 65 W)	1
HDMI IN 2.0	1
USB Type-B (Touch)	1
USB 3.0 Type-A	1
Microphone In	1

REAR I/O

HDMI IN 2.0 (4k@ 60 Hz)	2
DisplayPort 1.2	1
USB Type-B 3.0 (Touch)	3
USB Type-C (No Power Delivery)	1
USB Type-A 3.0	2
USB 3.0 Type-A to Android	1
HDMI OUT 2.0 (4k@ 60 Hz)	1
RS232	1
RJ45 (Gigabit)	In x 1 / Out x 1
OPS Slot	1
SPDIF	1
Audio Line Out (Jack 3,5 mm)	1
VGA Adaptor (Cable)	1
Power Out Connect (180 W)	1

SMART SYSTEM

SoC Chipset	Amlogic A311D2 octa-core processor 4 x Cortex-A73 at 2,2 GHz, 4 x Cortex-A53 at 2,0 GHz
RAM	4 GB DDR4
Storage	64 GB
Operating System	Android 11
Formats Support For Image	JPEG, BMP, PNG
Formats Support For Video	MPEG1, MPEG2, MPEG4, SorensonH.263,H.263,H.264, HEVC/H.265,MVC,AVS,A VS+,WMV3,VC1,Motion JPEG,VP8,VP9,RV30/RV40
	MPEG1/2ER1;@LAYER 2;@LAYER3,EAC3,ACC-LC,HEAAC,VORBIS,LPCM,IMA-ADPCM,MS-ADPCM,G711 A/MU-LAW,LBR(COOK),FLAC
Formats Support For Audio	
Camera Slot	1
Wi-Fi 6 + Bluetooth 5.2 Module	Integrated (Replaceable)

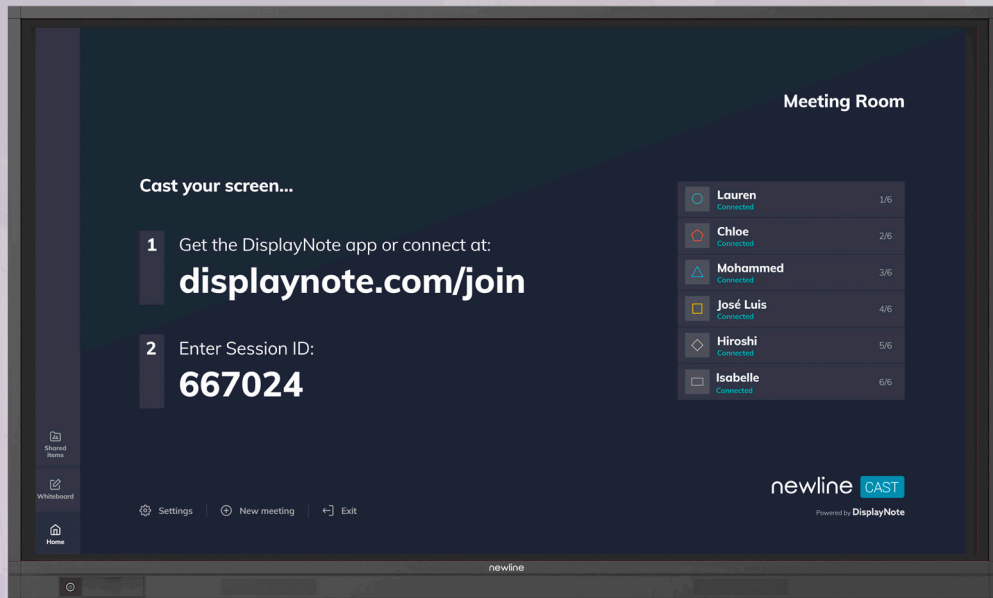
EXTRA FIRMWARE FEATURES

Lan control	✓
Wake on Lan	✓
CEC	✓
Multuser profile / User Profiles: 6	1 Admin + 5 Guests
Setting Menu Admin Mode	✓

TRANSPORTATION / STORAGE

Outline Dimensions (Excl. wall mount)	55": 1294 x 808,5 x 101 mm
	65": 1513 x 927 x 121mm
	75": 1735 x 1051 x 123 mm
	86": 1981 x 1191 x 123 mm
	98": 2258.4 x 1344.8 x 122mm
Net Weight	55": 31,5 kg
	65": 39 Kg
	75": 52 Kg
	86": 65 Kg
	98": 108 Kg
VESA	55": 400 x 400 mm
	65": 600 x 400 mm
	75": 800 x 400 mm
	86": 800 x 400 mm
	98": 800 x 600 mm

newline



Intelligent Touch



Based on Android 8.0



Multiple Connections



Object Recognition



Go Wireless



Win/iOS/Android/
Chrome
Compatibility



Dual Interface



Easiest to use



Energy Efficiency

THE HASSLE-FREE INTERACTIVE DISPLAY FOR CLASSROOMS

This Series allows a collaborative experience that lets students interact using a stylus or their fingers to write, and their fist to erase. The responsive RS+ Series displays lets multiple students touch and draw the display lag-free and simultaneously. Designed for education, it features all the Newline interactive ecosystem tools needed to engage students and spark passion for learning.

Newline RS+ Series features the following interactive ecosystem tools:

CAST

BROADCAST

DISPLAY MANAGEMENT

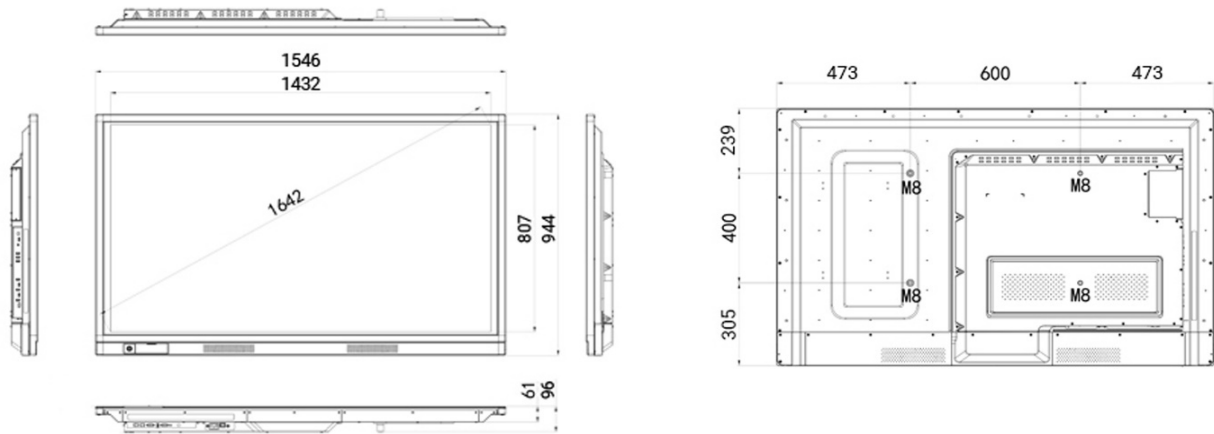
RS+ Series

RS⁺ Series

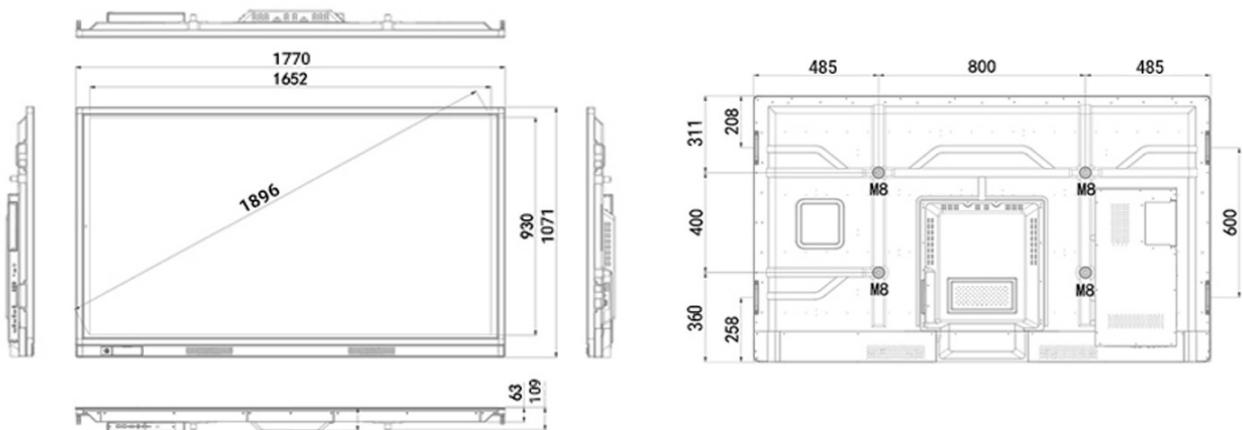
MODEL	TT-6519RS	TT-7519RS	TT-8619RS
Display			
Backlight	LED		
Active screen size	65"	75"	86"
Display ratio	16:9		
Resolution	3840 x 2160 Pixel (4K)		
Display colors	8 bit (1.07 billion)		10 bit (1.07 billion)
Brightness	≥ 370cd/m2		
Contrast ratio (Dynamic)	4000:1		
Response time	8 ms		
Panel viewing angle	178°		
Life time	Minimum 30,000 hours		
Touch			
Touch surface technology	Anti-glare tempered glass and anti-fingerprint		
Transparency	>88%		
Surface hardness	7H		
Touch sensor	Advanced Infrared Touch System		
Touch points	20 Points under Windows 10 Points under Android		
Writing tools	Stylus, finger, fist		
Positioning accuracy	±1mm	±1mm	±1mm
Communication interface	USB-A		
Speaker			
Speaker position	Forward		
Rated impedance	8Ω		
Frequency response	180Hz-20kHz	180Hz-20kHz	180Hz-20kHz
Max. power output	15W x 2		
Electrical			
Power consumption supported	Maximum ≤250W	Maximum ≤400W	Maximum ≤450W
Working voltage	AC 100-240V, 50/60Hz		
Energy efficiency	A+	A+	A+
Transportation / Storage			
Mounting (optional)	Wall-mounted / Floor Stand		
Outline dimension	1546 x 944 x 96mm	1770 x 1071 x 109mm	2019 x 1212 x 109mm
Net weight	44 Kg	56 Kg	72 Kg
Gross weight	59 Kg	73 Kg	93 Kg
Packing dimensions	1670 x 1056 x 221mm	1894 x 1193 x 247mm	2170 x 1345 x 275mm
VESA	600 x 400 mm	800 x 400 mm	800 x 400 mm
Embedded System			
CPU	ARMv8 A73*2+A53*2 (A53 : 1.05-1.3GHz; A73 : 1.15-1.5GHz)		
RAM	3 GB		
ROM	16 GB + 32GB Flash Memory		
System version	8.0.0		
Multimedia file formats support	Image: JPEG, BMP, PNG Video: MPEG1, MPEG2, MPEG4, SorensonH.263,H.263,H.264,HEVC/H.265,MVC,AVS,AVS+,WMV3,VC1,Motion JPEG,VP8,VP9,RV30/RV40 Audio:MPEG1/2 @LAYER1;@LAYER2;@LAYER3,EAC3,ACC-LC,HEAAC,VORBIS,LPCM,IMA-ADPCM,MS-ADPCM,G711 A/MU-LAW,LBR(COOK),FLAC		
Speciality			
Intelligent thermo protector	Automatic Hibernate when over heated		
OPS PC	Optional		
WIFI Dongle	802.11 a/b/g/n/ac		
Ports			
Front interface inputs	HDMI 1.4 (4K@30Hz) x 1, USB (Touch) x 1, USB 2.0 (Dynamic) x 2, MIC (jack 3.5mm) x 1		
Rear AV inputs	HDMI 2.0 (4K@60Hz) x 2, DP1.2 (4K@60Hz) x 1, VGA (1920x1080@60Hz) x 1 + PC Audio x 1, USB (Touch) x 4		
Rear AV outputs	HDMI out (Support 4k@60Hz, 1920x1080@60Hz, 720x480@60Hz) x 1, Line Out x 1, SPDIF out x 1		
Other	USB 2.0 (Dynamic) x 1, USB 3.0 (Dynamic) x 1, USB 2.0 (Embedded) x 1, RS232 x 1, RJ45 x 2 (in/Out), OPS Slots (4K@60Hz) x 1, DC 5V-2A out x 1		

Technical drawings

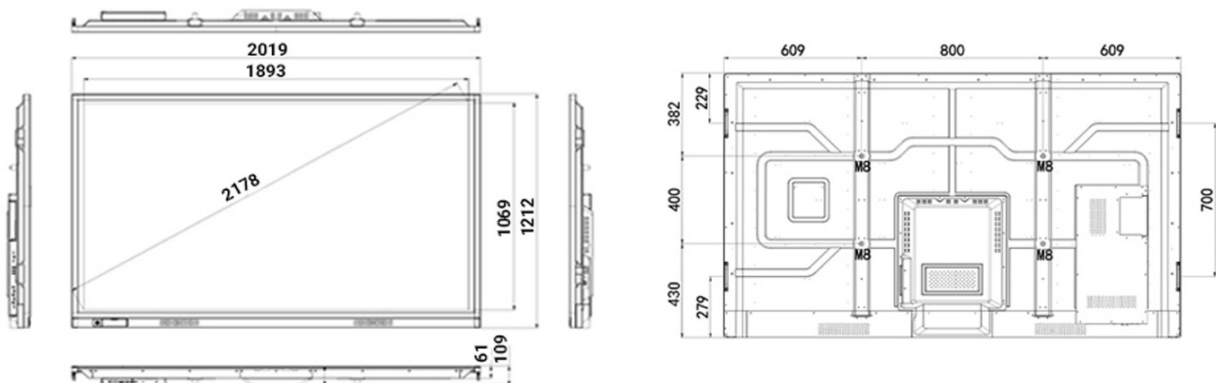
TT-6519RS



TT-7519RS



TT-8619RS



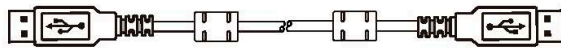
RS⁺ Series

Accessory Box Packing List

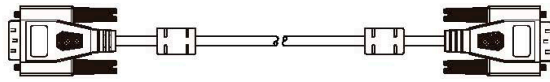
TT-6519RS

TT-7519RS

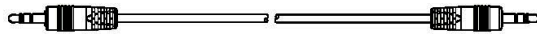
TT-8619RS



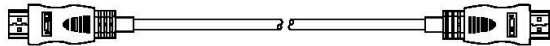
USB cable (A-A) x1



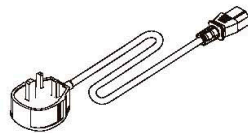
VGA cable x1



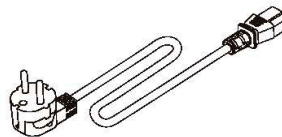
Audio cable x1



HDMI cable x1



UK Power cord x1



EU Power cord x1



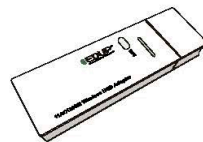
Screen Cleaning Kit x1



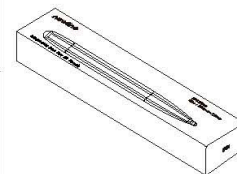
Remote control x1



AAA Battery x2



Dual Wi-Fi dongle x1



Magnetic Pen x2

newline

NEWLINE INTERACTIVE INC.

101 East Park Blvd.
Suite 807 Plano,
TX 75074, USA
TEL: +1 888 233 0868

EUROPE OFFICE

Ronda de Poniente, N°2, 1st floor,
Oficina 1B, 28760,
Tres Cantos, Madrid, Spain
TEL: +34 911169178
info_eu@newline-interactive.com

ASIA PACIFIC OFFICE

17F, No. 653, Bannan Rd.,
Zhonghe Dist., New Taipei City
235, Taiwan
TEL: +886 282282089

INDIA OFFICE

Room No. 203, No.37, TTK Road,
Alwarpet, Chennai,
Tamil Nadu, India, 600018
TEL: +91 44 46945513

www.newline-interactive.com